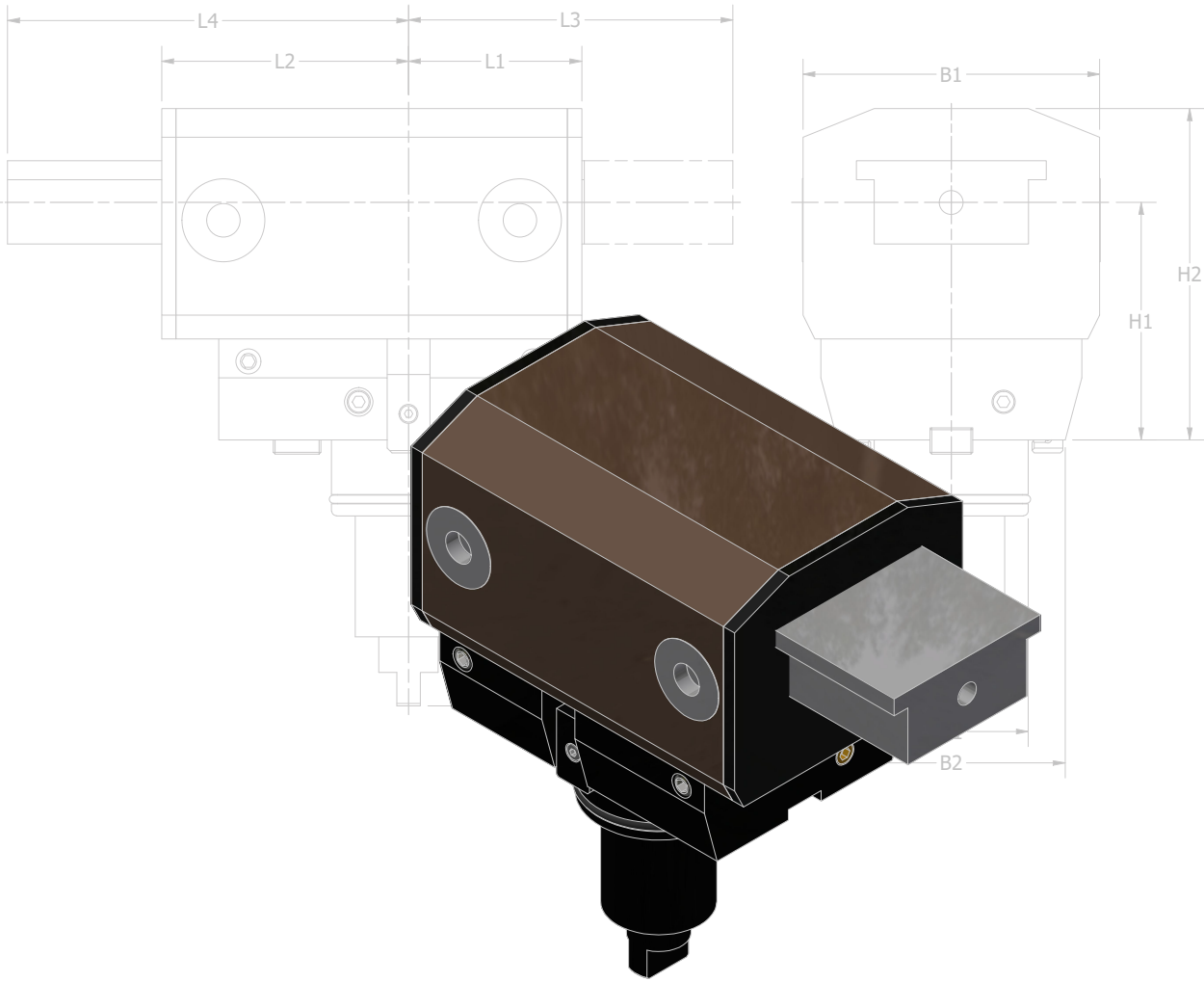


BMT



BMT45 Pg 10

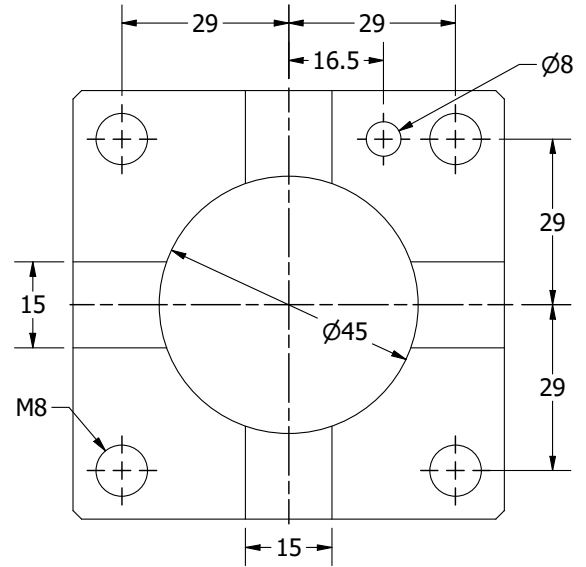
BMT55 Pg 10

BMT65 Pg 11

BMT75 Pg 11

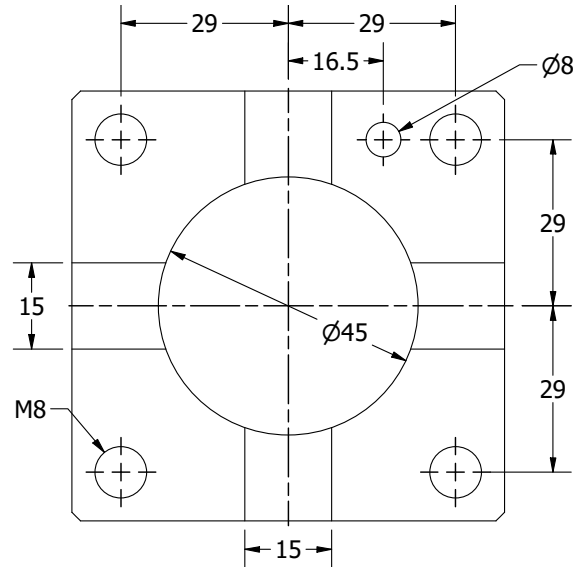
BMT45 Machine Connections

COMPATIBLE MACHINES	
DMC	DL 6TM
Doosan/DN Solutions	Lynx 220 M/LM
	Lynx 220 LMS/LY/LSY
	Lynx 2100 M/MS/LY/LSY
	Lynx 2100 M/MS/LY/LSY
	Puma MX1600 ST (BMT45)
Puma TT1300 SY/SYY	
Diplomatic	DM-TR-16-D12-290-BMT45/10
EMCO	Hyperturn 45 (BMT45)
	Maxxturn 65 SMY (BMT45)
Focus CNC	FNL-160, 220LSY
Ganesh	Genturn 52/65 MSY
Hardinge	H-51, TT-42/51 (BMT45-16T)
	T-42/51 (BMT45-12T)
	T-42/51 (BMT45-16T)
Hwacheon	Cutex 180 MC/SMC/YMC/YSMC (16 ST)
	Hi-Tech 230 YSMC (20ST, BMT45)
Hyundai WIA	SE2200M/MS/LSY (BMT45)
Jyoti	AX 200 (BMT45)
	TMC 250, 350 (BMT45)
ROMI	GL 250Y/S
SMEC	PL 1600, 2000M
Spinner	Microturn 36, 52 (BMT45)
	TC 300, TTC 300 SMMCY (BMT45)
	TC 600 MCY/SMCY (BMT45)
	TTS 42, 65 (BMT 45)
Tornos	SwissDECO 36 TB
Victor	VTurn-NP16CM



BMT55 Machine Connections

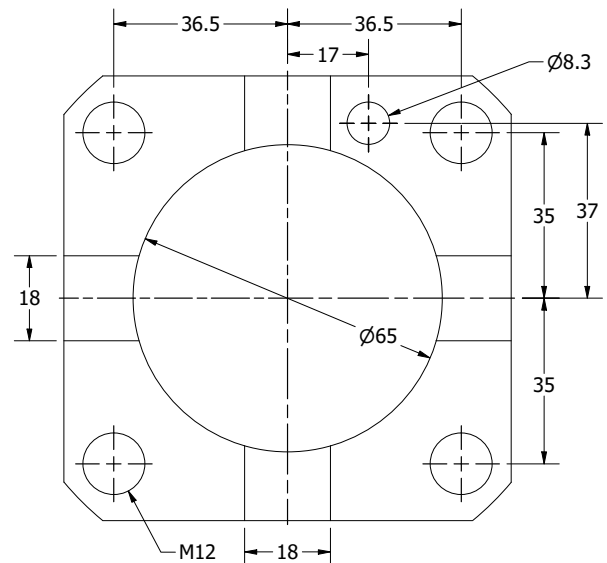
COMPATIBLE MACHINES		
Accuway	UT-100 Y (BMT55)	
ALEX-TECH	VT-27G, 30-33BLMC (BMT55)	
CHIAH CHYUN	ML-250	
DMC	DL 21-22 M/LMS DL 25 MS/Y/SY/LSY	
Doosan	Lynx 300 M,2600 Y Lynx 2600 SY (12ST) Puma GT2100,2600 M Puma 230, 240, 280 M/MS/LM Puma 1500,2000,2500 M/MS/Y/SY Puma 2100,2600(II) M/MS/Y/SY (BMT55) Puma TL2000, 2500 M	
	Duplomatic	DM-TR-16-D12-330-BMT55/10
	Focus CNC	FBL-230MC FNL/FBL-250, 320SY (16ST, BMT55)
	Ganesh	ASL-100 MY (BMT55)
	Hardinge	H-51 (BMT55) T-51, 65 (BMT55)
Headman	Hi5000M T55 M/MS	
Hwacheon	Cutex 160, 180 MC/SMC/YMC/YSMC	
Hyundai WIA	L160, 230MA/LMA/LMSA HD2200, 2600M/Y/SY (BMT55)	
	Jyoti	AX 300 (BMT55)
LEADWELL	T-7i M/SM (BMT55) LL20MYL5 (BMT55) LL20MYL5 (extended swing diameter) (BMT55)	
Mazak	QT-Ez 8-12 M/MY/MSY (BMT55)	
ROMI	GL 300Y/S	
SMART	NL 2000 M/BM/SY/BSY PL 240LM	
SMEC	SL 1500, 2000M/Y/SY PL 250V/VM	
Takamaz	XT-8MY (BMT55)	
Takisawa Taiwan	UX-2000 (BMT55)	
Tongtai	TD-2000, 2500Y (16ST, BMT55)	
Victor	VTurn-A16/20/200CM, SCM, YCM, YSCM VTurn-NP20CM	
	YCM	NTC-1600, 2000 M/LM/LS/Y/LY/LSY



BMT65 Machine Connections

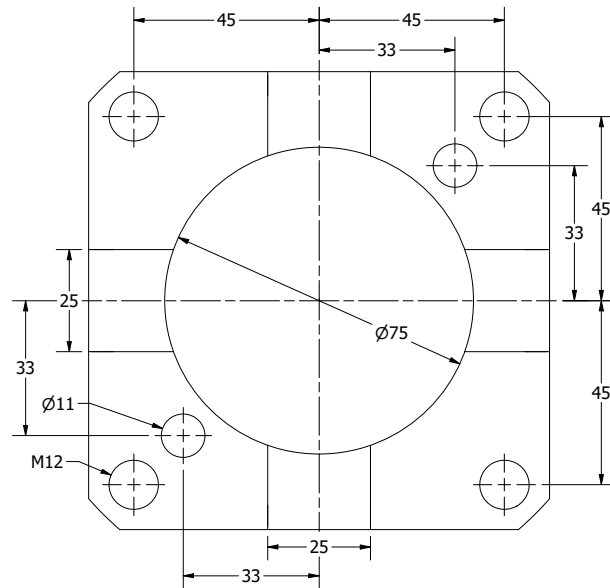
COMPATIBLE MACHINES	
Accuway	UT-300 M/SM (BMT65)
	UT-300 Y (BMT65)
	UZ-2000 T2Y (BMT65)
DMC	DL 35-40 M
Doosan/DN Solutions	Puma GT3100 M
	Puma 2100,2600(II) M/MS/Y/SY (BMT65)
	Puma 3100 M/Y
	Puma SMX2600, 3100 ST
	Puma 300 M/MS
	Puma V400 M
	Puma VT450 M, VT450 M-2SP
Puma TT2000, 2500 MS/SY	
Diplomatic	DM-TR-20-D12-380-BMT65/10
Ecoca	MT-3/MT-4 MC/MCSY
EMCO	Hyperturn 95/110 SMB/SM2Y (BMT65)
	Hyperturn 100 Powermill (BMT65)
	Maxxturn 110 (BMT65)
Focus CNC	FBL-300MC
Ganesh	ASL-15 MY (BMT65)
	ASL-78/105 TTM Y (BMT65)
	GLS-2800-3300 M/Y/MS/YS
Goodway	GMS-2000 ST (15 station turret)
	GMT-2000
	GS-2000 - 3300 M/Y/MS/YS (16 station turret)
	GTH-2000, 2600 M
	GTX/GTZ-2000, 2600 M/Y (12 station turret)
Hardinge	Elite 65 M Ultra
Headman	Hi6000M
	T65 M/MS
HURCO	TMX 8, TMX10 MY/MYS (BMT65)
Hwacheon	Cutex 240 MC/SMC
	Hi-Tech 200 MC
	Hi-Tech 230 MC/YMC
	Hi-Tech 230 SMC/YSMC
	Hi-Tech 350, 450 MC/SMC/YMC/YSMC
VT 450 MC (BMT65)	

COMPATIBLE MACHINES	
Hyundai	WIA L300MA/MC/LMA/LMC/MSA/MSC/LMSA
	WIA L2000, 2600, 3000Y/LY/SY/LSY
	WIA HD2600, 3100M/Y/YA/SY/SYA (BMT65)
	WIA LV450RM/LM
	WIA SKT200, 250TTM/MS/SY
	WIA SKT250, 300M/MS
WIA L2100Y/SY	
Johnford	SL-60, 65 (BMT65)
LEADWELL	LTC-25iM (BMT65)
LMW	LR30TML7
ROMI	GL 350M/Y/S
SMART	NL 2500, 3000 M/BM
SMEC	SL 2500, 3000M/Y/SY, PL 2000, 2500Y/SY
	SL 3500M/Y, PL 20-35M, 2000-2500MS
	SLV 500M
Spinner	TC 800 SMCY (BMT65)
Takisawa	Taiwan LA-250 YS II T15 (BMT65)
	Taiwan NEX-110Y (BMT65)
Tongtai	TD-2000, 2500Y (12ST, BMT65)
	TMT 2000 (BMT65, turret 2)
	TNL-120T
	TCS-1500, 2000, 2500 (BMT65)
Victor	VTurn-A26SCM, YSCM
	VTurn-S26CM
WELE	HL-200YS

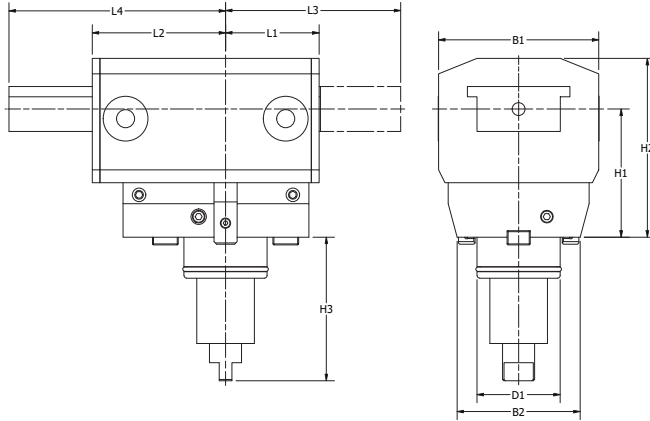


BMT75 Machine Connections

COMPATIBLE MACHINES	
Doosan	Puma 400, 480 M/LM
	Puma 4100, 5100 M/LM/LY
	Puma V550, 8300 M
	Puma V550, 8300 M (ATC)
	Puma VT750 M, M-2SP
Duplomatic	DM-TR-25-D12-430-BMT75/10
Focus CNC	FBL-460MC
Hyundai WIA	LV500, 8500RM/LM
	LV800RM/LM / SKT-V80RM/LM
ROMI	GL 450M/Y
SMEC	SLV 800M, PL 800VM
Victor	VTurn-40/45 CM, YCM (BMT75)
	VTurn-S36CM

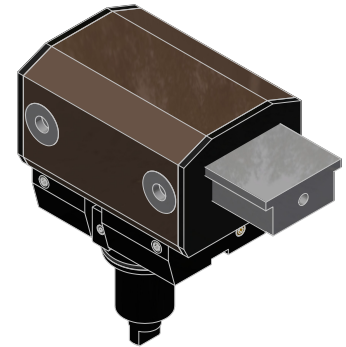
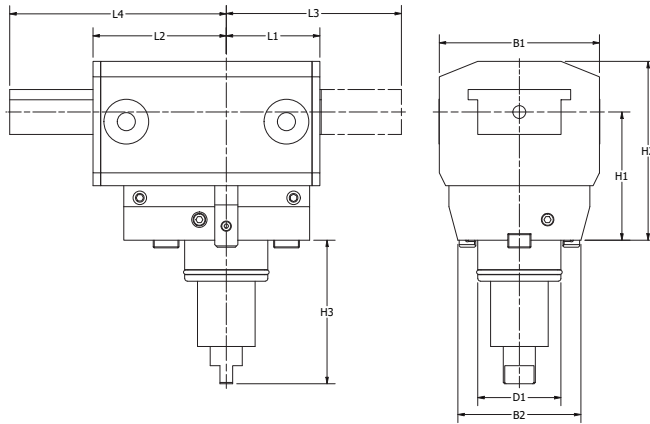


BMT45 SLOTTERS



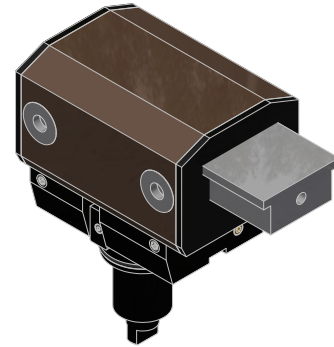
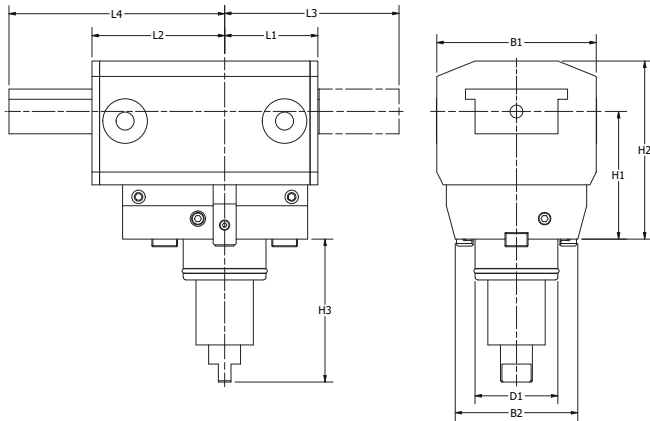
PART NUMBER	D1	STROKE	H1	H2	H3	B1	B2	L1	L2	L3	L4
BMT45-ST35R	45	35mm	76	105	84	100	80	76	76	111	111

BMT55 SLOTTERS



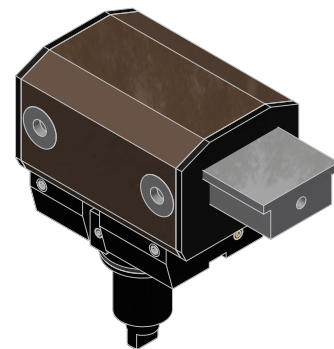
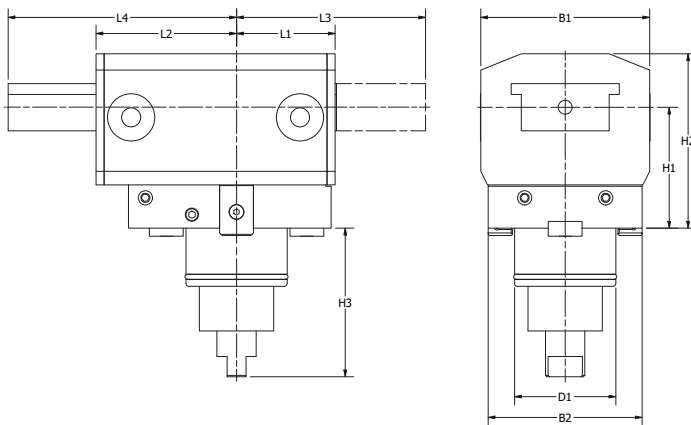
PART NUMBER	D1	STROKE	H1	H2	H3	B1	B2	L1	L2	L3	L4
BMT65-ST35	55	35mm	88	125	104	100	85	76	76	111	111
BMT65-ST50	55	50mm	88	125	104	110	85	76	91	126	141
BMT65-ST65	55	65mm	87.5	127	104	125	85	76	106	141	171

BMT65 SLOTTERS



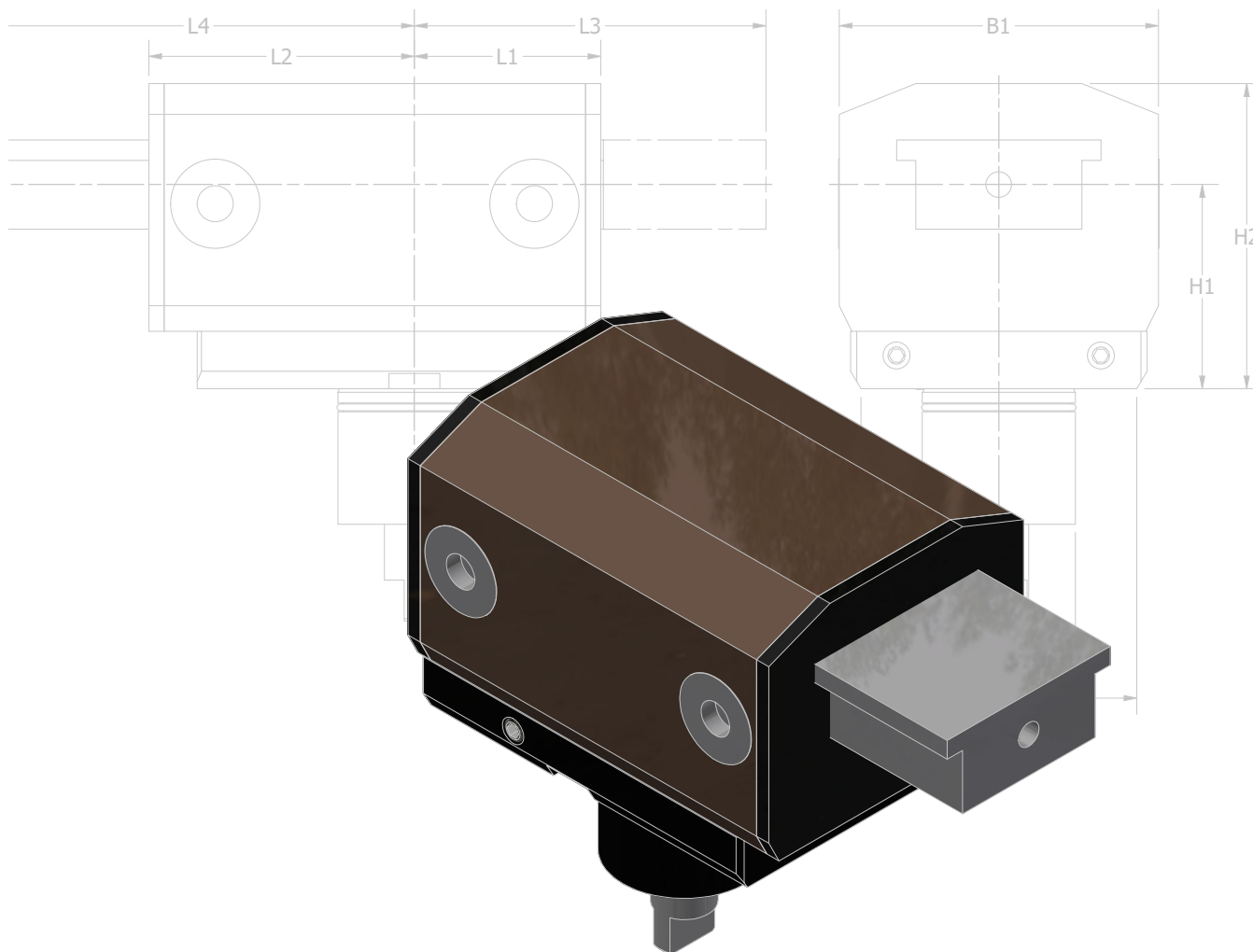
PART NUMBER	D1	STROKE	H1	H2	H3	B1	B2	L1	L2	L3	L4
BMT65-ST35	65	35mm	100.5	137.5	112	100	96	76	76	111	111
BMT65-ST50	65	50mm	100.5	137.5	112	110	96	76	91	126	141
BMT65-ST65	65	65mm	100	139.5	112	125	96	76	106	141	171

BMT75 SLOTTERS



PART NUMBER	D1	STROKE	H1	H2	H3	B1	B2	L1	L2	L3	L4
BMT75-ST50	75	50mm	90	127	110	110	114	76	91	126	141
BMT75-ST65	75	65mm	89.5	129	110	125	114	76	106	141	171

DMG MORI



NL3000 Pg 17

NZ2000 Pg 17

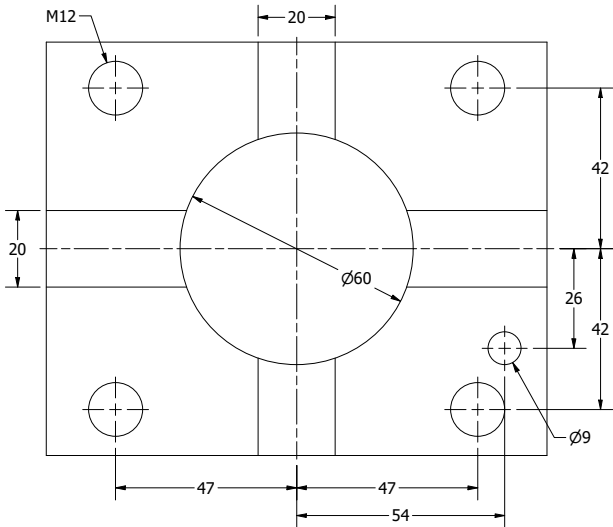
DMG MORI NL3000 Machine Connections

COMPATIBLE MACHINES

NLX/NL 1500-4000 MC/Y/SMC/SY

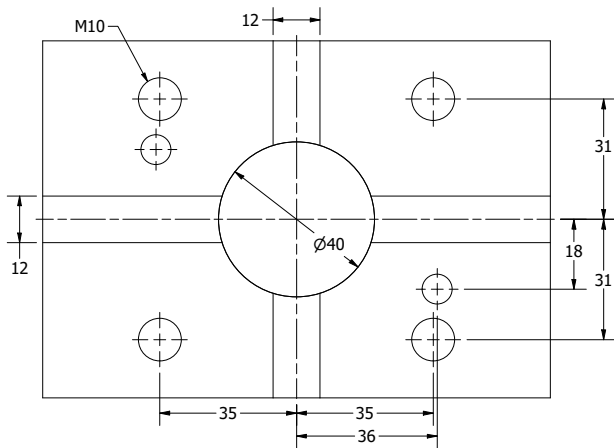
NZX 2500 (BMT60)

NTX 2000-3000 2nd Generation (BMT60)

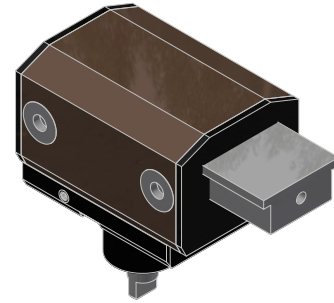
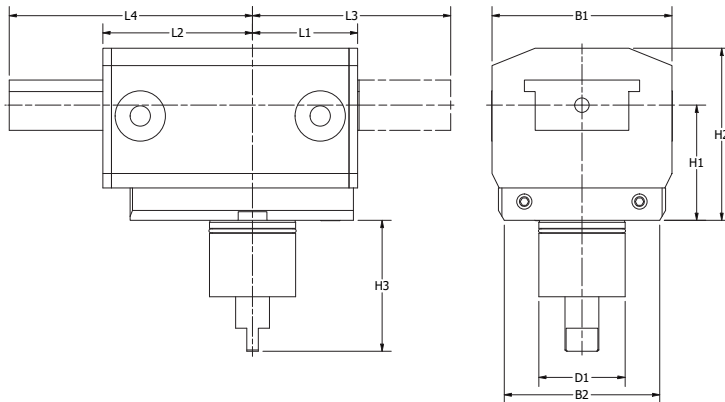


DMG MORI NZ2000 Machine Connections

COMPATIBLE MACHINES
ALX 1500-2500 MC/Y/SY
CLX 450, ecoTurn 450 (BMT40)
DuraTurn 2050, 2550 MC
NLX/NL 1500-2500 (20 ST)
NRX 2000 MC
NT/NTX 1000-3200 (BMT40)
NTX 1000-3000 2nd Generation (BMT40)
NZX 1500-2000 (16 ST)
NZX 2500 (turret 2 = BMT40)

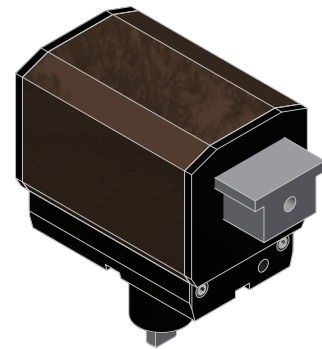
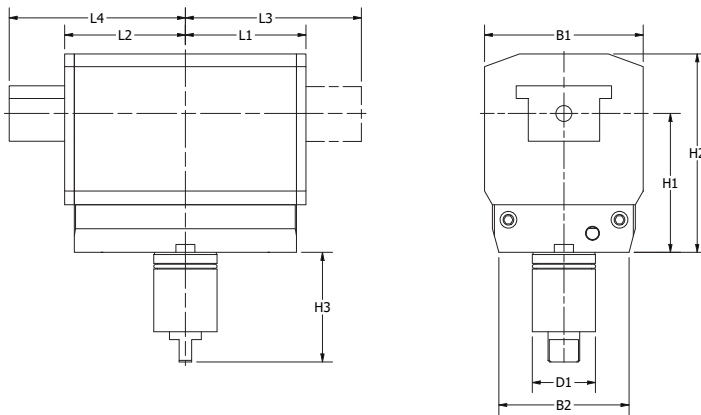


NL3000 SLOTTERS

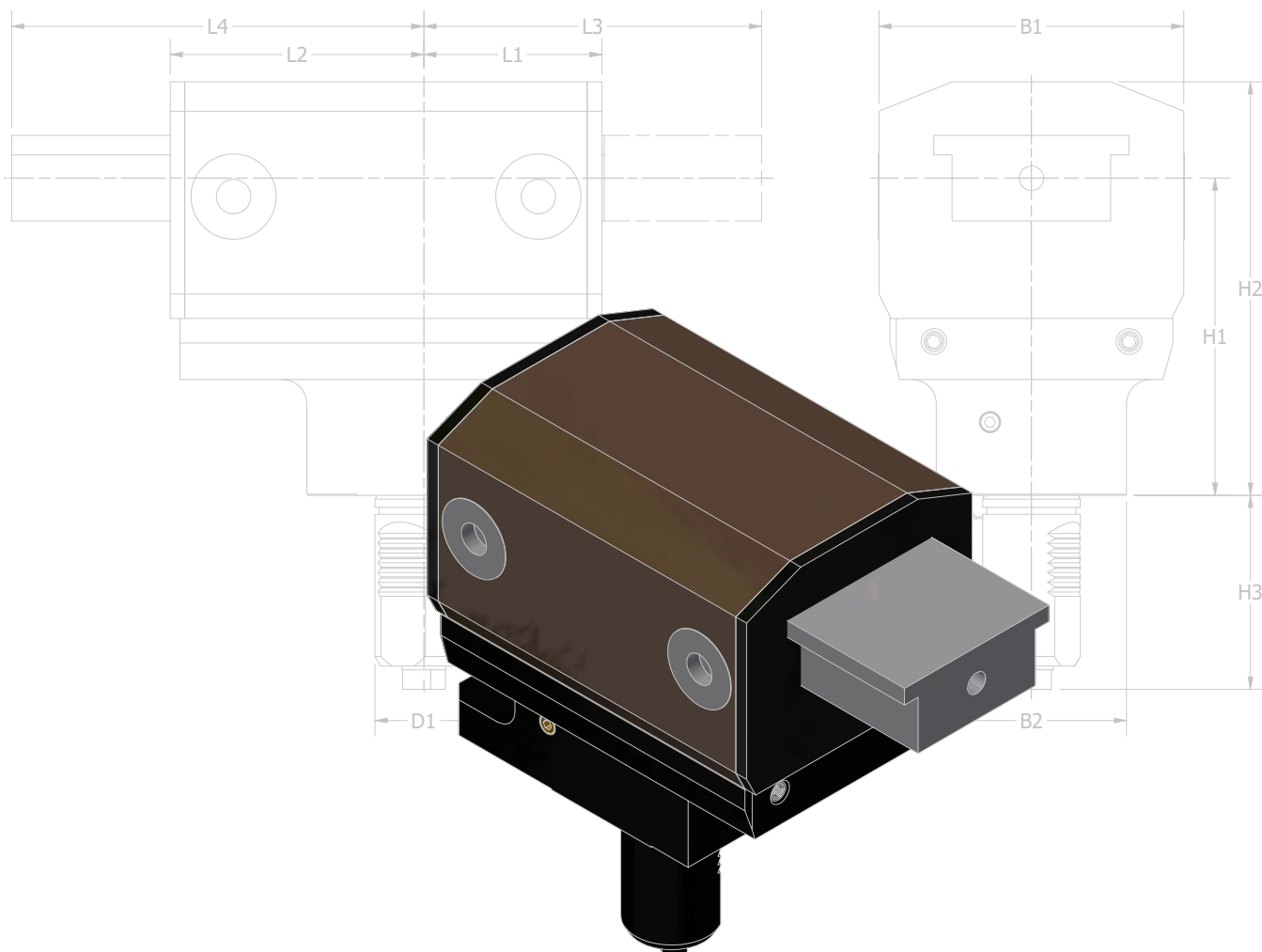


PART NUMBER	D1	STROKE	H1	H2	H3	B1	B2	L1	L2	L3	L4
NL3000-ST35	60	35mm	80.5	117.5	91	100	100	76	76	111	111
NL3000-ST50	60	50mm	80.5	117.5	91	110	108	76	91	126	141
NL3000-ST65	60	65mm	80	119.5	91	125	108	76	106	141	171

NZ2000 SLOTTERS



PART NUMBER	D1	STROKE	H1	H2	H3	B1	B2	L1	L2	L3	L4
NL3000-ST35	40	35mm	88	125	69	100	82	76	76	111	111
NL3000-ST50	40	50mm	88	125	69	110	82	76	91	126	141
NL3000-ST65	40	65mm	87.5	127	69	125	82	76	106	141	171



MP6 Pg 22

MP7 Pg 22

SM250 Pg 23

SQT10 Pg 23

SQT15 Pg 25

SQT28 Pg 25

MAZAK MP6 Machine Connections

COMPATIBLE MACHINES

Hyper Quadrex 100,150,MSY

Hyper Quadrex 200, 250 MS/MSY (16 Station turret)

Multiplex 610, 6100

Multiplex 620, 6200Y (16 Station turret)

MAZAK MP7/HQ40 Machine Connections

COMPATIBLE MACHINES

Hyper Quadrex 200, 250 MS/MSY (12 Station turret)

Multiplex 620, 6200Y, 6250 (12 Station turret)

Multiplex W-200 Y (12 Station turret)

MAZAK SM250 Machine Connections

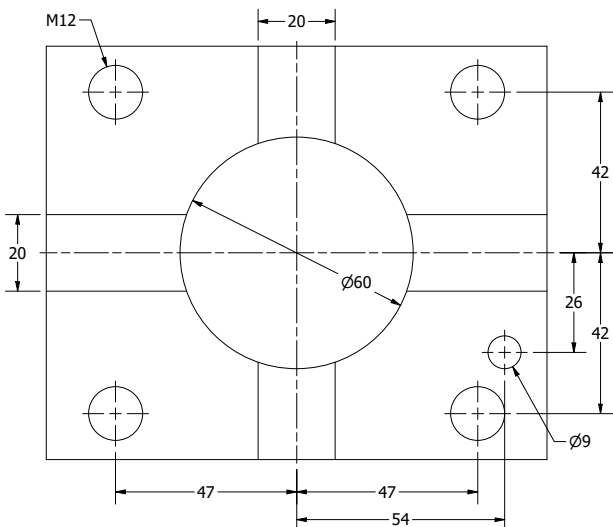
COMPATIBLE MACHINES

Quick Turn (QT) 200, 250 M/MY/MS/MSY

Quick Turn Compact (QTC) 100, 200, 300 M/MY/MS/MSY

Quick Turn Smart (QTS) 100, 150, 200, 250 M/S

Quick Turn Universal (QTU) 200, 250, 350 MY/MSY



MAZAK SQT10 Machine Connections

COMPATIBLE MACHINES

Super Quick Turn (SQT) 15, 18, 200, 250 M/MY/MS/MSY (16 Station Turret)

Super Quick Turn (SQT) 100 M/MY/MS/MSY

Quick Turn Nexus (QTN) 200, 250 M/MS/MY/MSY (16 Station Turret)

Quick Turn Nexus (QTN) 100, 150 M/MS

MAZAK SQT15 Machine Connections

COMPATIBLE MACHINES

Super Quick Turn (SQT) 15, 18, 200, 250 M/MY/MS/MSY (12 Station Turret)

Quick Turn Nexus (QTN) 200, 250 M/MS/MY/MSY (12 Station Turret)

Super Quadrex 200, 250 M

MAZAK SQT28 Machine Connections

COMPATIBLE MACHINES

Hyper Quadrex (HQ) 450 M

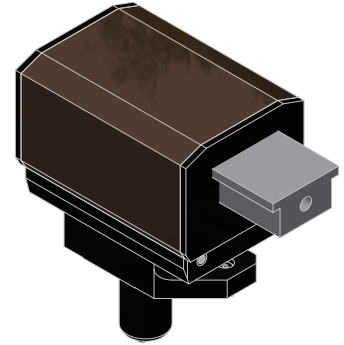
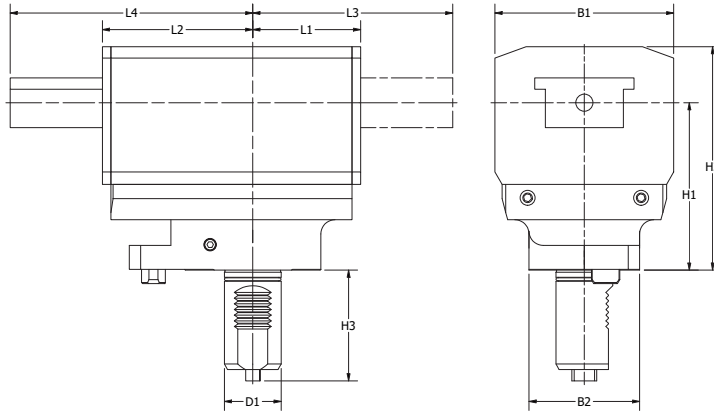
Megaturn Nexus 900 M

Quick Turn Nexus (QTN) 300, 350, 400, 450 M/MY/MSY

Slant Turn Nexus 500, 550 M

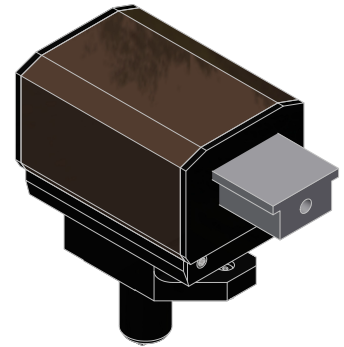
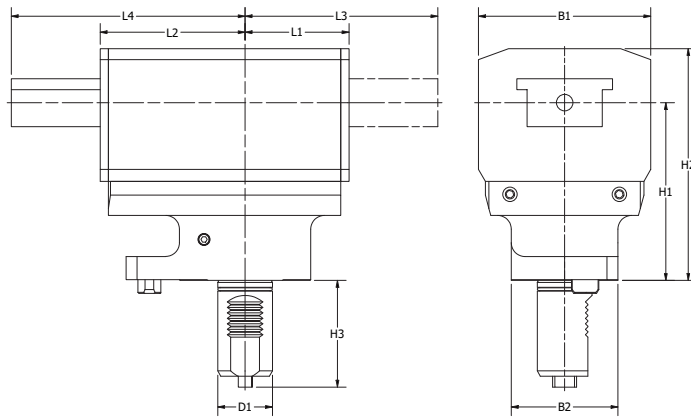
Super Quick Turn (SQT) 28, 30, 300, 350, 400, 450 M/MY

MP6 SLOTTERS



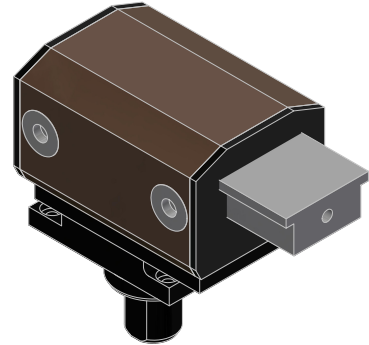
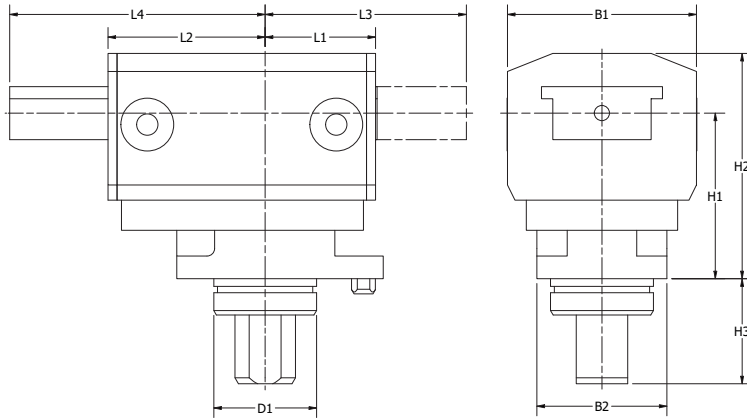
PART NUMBER	D1	STROKE	H1	H2	H3	B1	B2	L1	L2	L3	L4
MP6-ST35	40	35mm	110.5	147.5	61	100	76	76	76	111	111
MP6-ST50	40	50mm	110.5	147.5	61	110	76	76	91	126	141
MP6-ST65	40	65mm	110	149.5	61	125	76	76	106	141	171

MP7 SLOTTERS



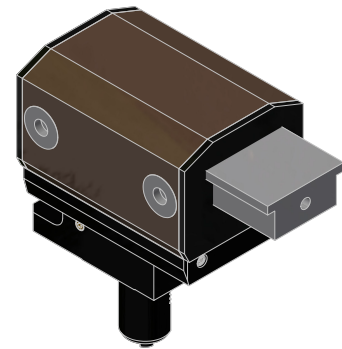
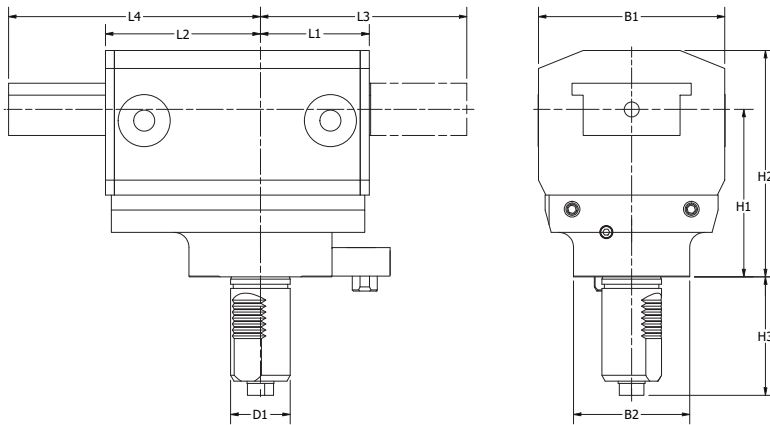
PART NUMBER	D1	STROKE	H1	H2	H3	B1	B2	L1	L2	L3	L4
MP7-ST35	40	35mm	130.5	167.5	78	100	78	76	76	111	111
MP7-ST50	40	50mm	130.5	167.5	78	110	78	76	91	126	141
MP7-ST65	40	65mm	130	169.5	78	125	78	76	106	141	171

SM250 SLOTTERS



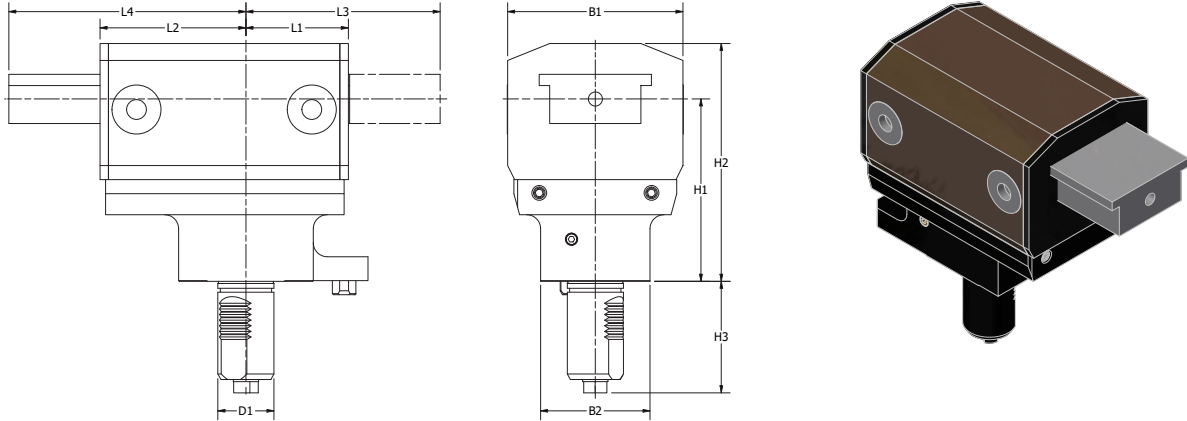
PART NUMBER	D1	STROKE	H1	H2	H3	B1	B2	L1	L2	L3	L4
SM250-ST35	68	35mm	95.75	132.75	90	100	100	76	76	111	111
SM250-ST50	68	50mm	95.75	132.75	90	110	105	76	91	126	141
SM250-ST65	68	65mm	95.25	134.75	90	125	105	76	106	141	171

SQT10 SLOTTERS



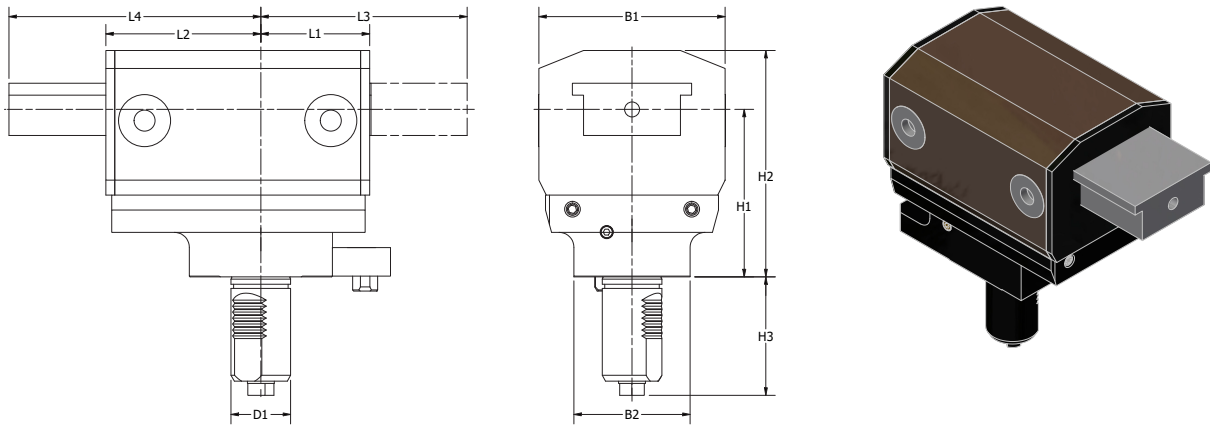
PART NUMBER	D1	STROKE	H1	H2	H3	B1	B2	L1	L2	L3	L4
SQT10-ST35	40	35mm	93	130	61	100	76	76	76	111	111
SQT10-ST50	40	50mm	93	130	61	110	76	76	91	126	141

SQT15 SLOTTERS

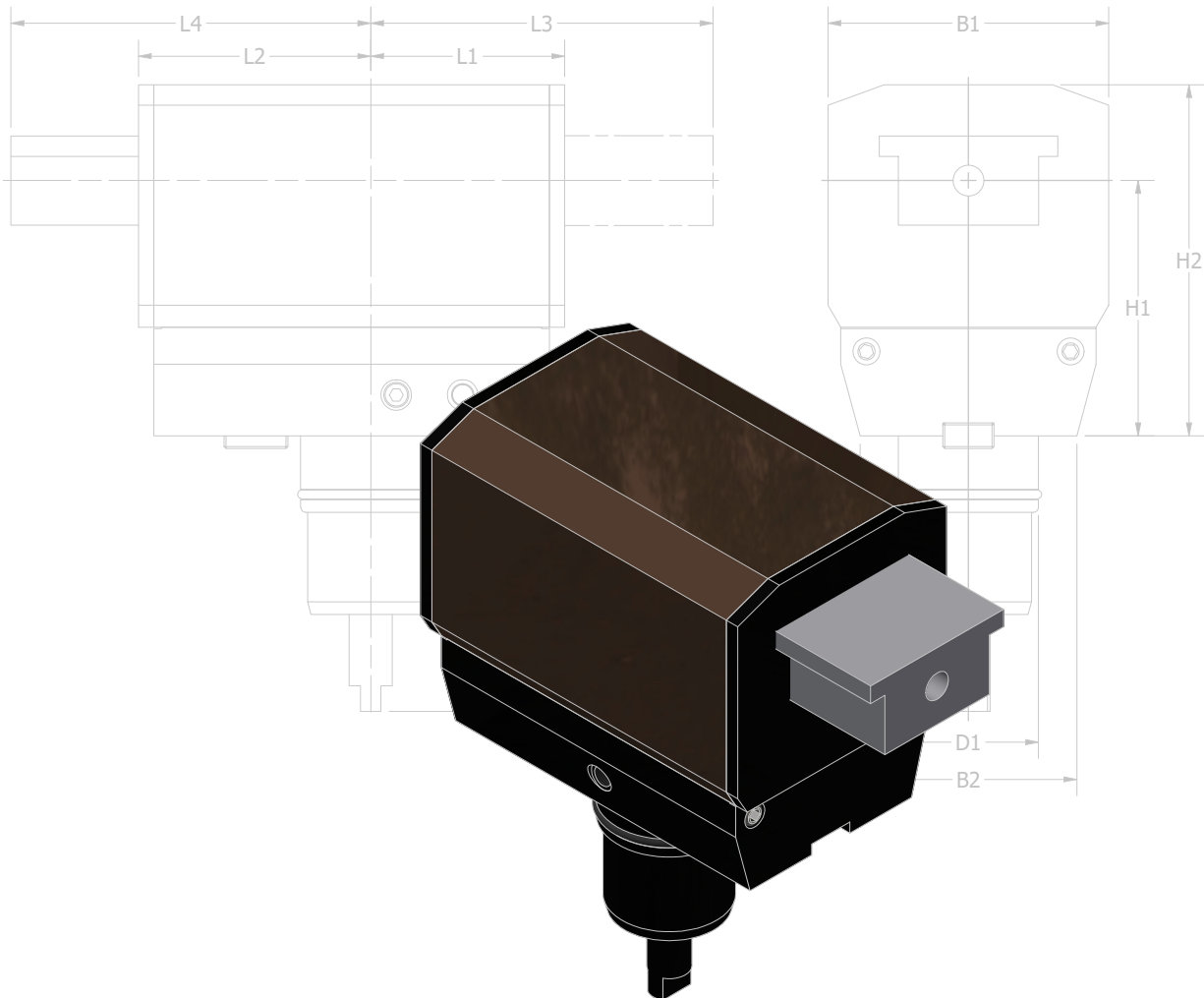


PART NUMBER	D1	STROKE	H1	H2	H3	B1	B2	L1	L2	L3	L4
SQT15-ST35	40	35mm	125.5	162.5	78	100	85	76	76	111	111
SQT15-ST50	40	50mm	125.5	162.5	78	110	85	76	91	126	141
SQT15-ST65	40	65mm	125	164.5	78	125	85	76	106	141	171

SQT28 SLOTTERS



PART NUMBER	D1	STROKE	H1	H2	H3	B1	B2	L1	L2	L3	L4
SQT28-ST50	50	50mm	150.5	187.5	85	110	100	76	91	126	141
SQT28-ST65	50	65mm	150	189.5	85	125	100	76	106	141	171



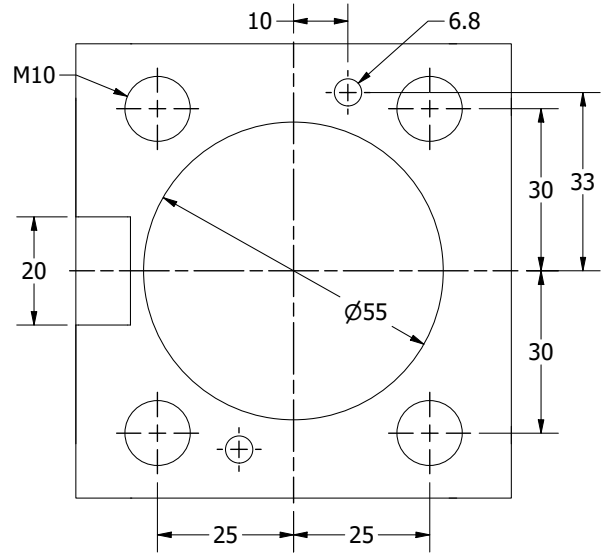
TW10 Pg 29

TW20 Pg 29

NAKAMURA TW10 Machine Connections

COMPATIBLE MACHINES

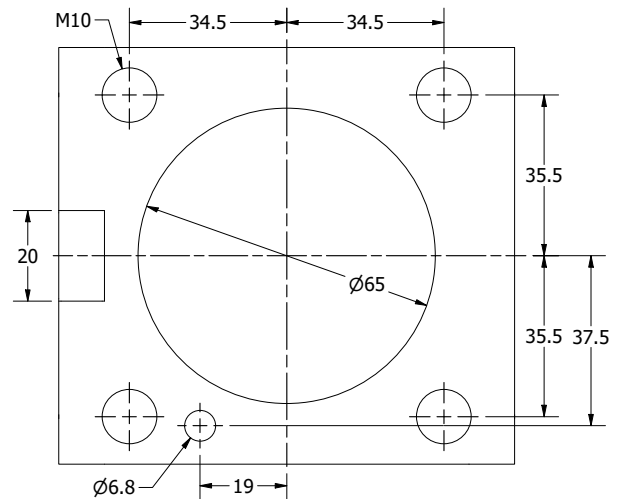
- AS-200 (12 ST),(15 ST)
- JX-250
- NTY³-150, 250
- SC-150,200,250
- Super NTJ
- Super NTJX
- Super NTM³
- TW-10, TW-20 M/MY/MM/MMY/MMYY (16 ST)
- WT-150 II (Capto Turret)
- WT-150, WT-150 II, WT-250 II
- WT-250
- WTS-150, WTW-150
- WY-150, 250



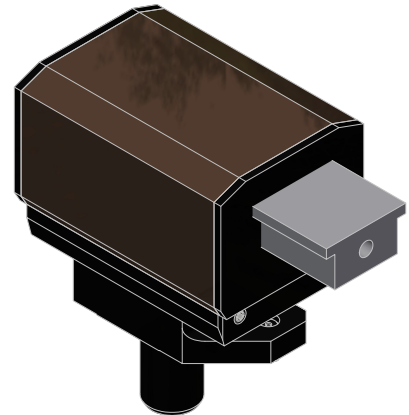
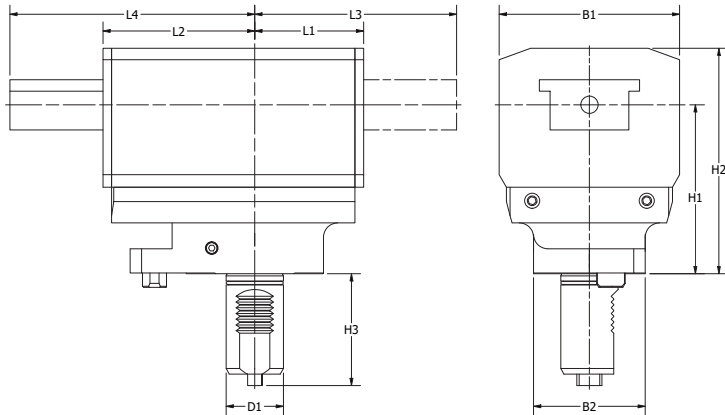
NAKAMURA TW20 Machine Connections

COMPATIBLE MACHINES

- SC-300,SC-300 II
- Super NTX
- TMC 200M, 300M
- TW-20 TW M/MY/MM/MMY/MMYY (12 ST)
- TW30 M/MY/MM/MMY/MMYY (16 ST)
- WT-300

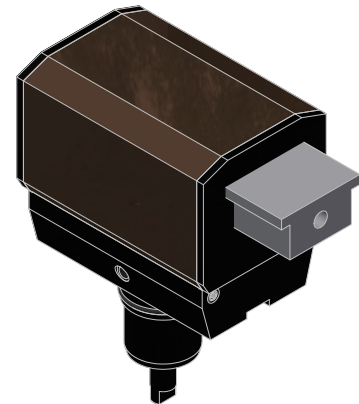
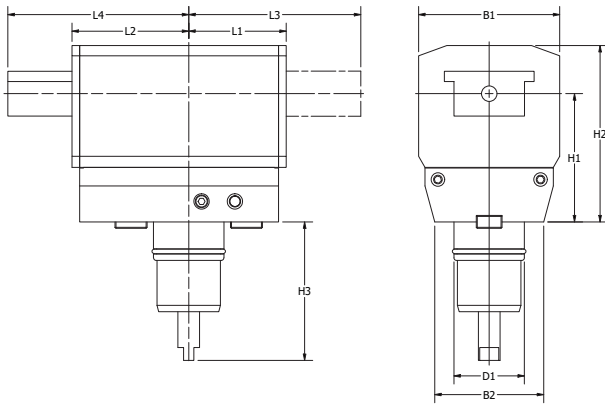


TW10 SLOTTERS

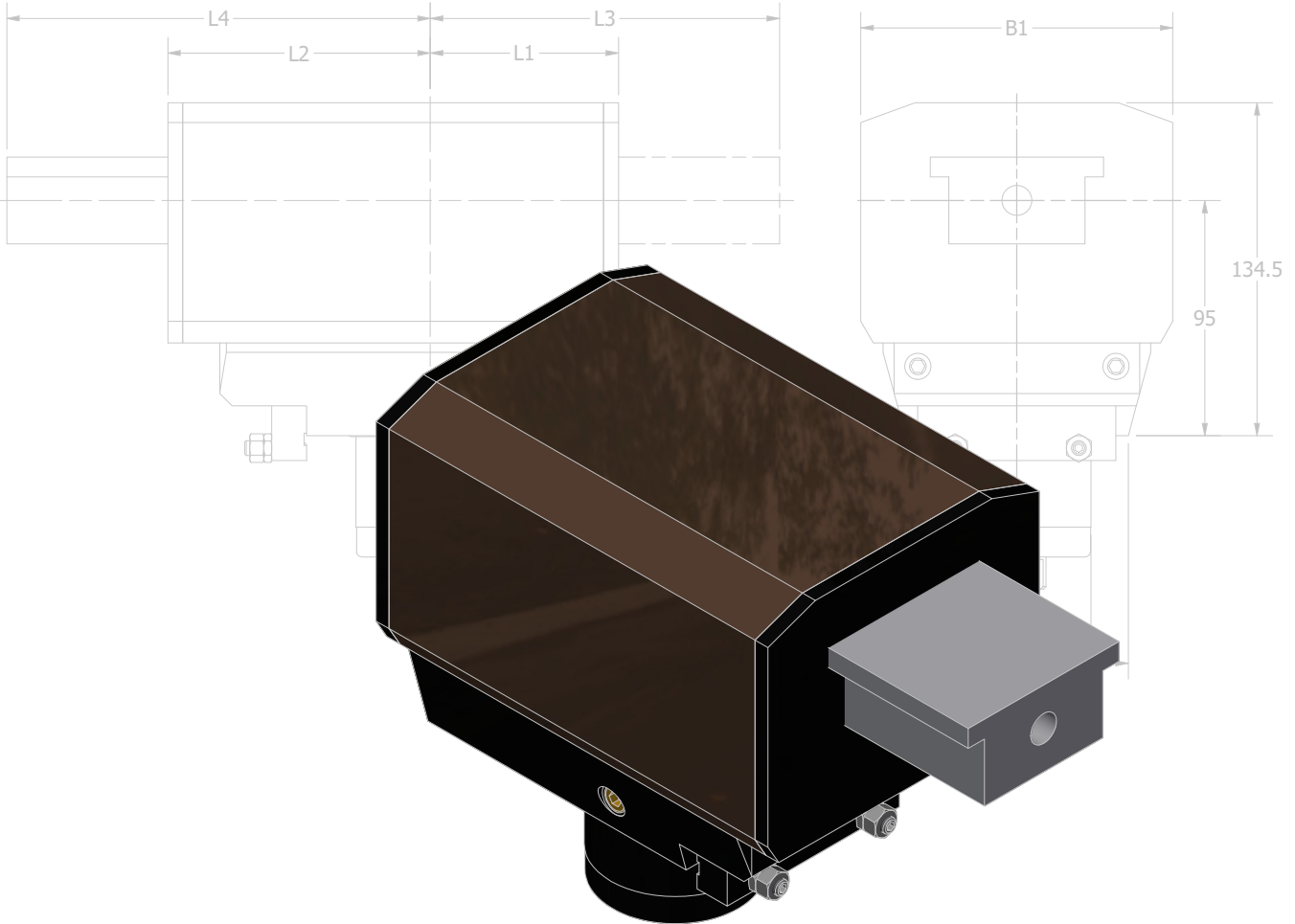


PART NUMBER	D1	STROKE	H1	H2	H3	B1	B2	L1	L2	L3	L4
TW10-ST35	55	35mm	100	137.5	108	100	85	76	76	111	111
TW10-ST50	55	50mm	100	137.5	108	110	85	76	91	126	141

TW20 SLOTTERS



PART NUMBER	D1	STROKE	H1	H2	H3	B1	B2	L1	L2	L3	L4
TW20-ST35	65	35mm	100	137.5	116.5	100	95	76	76	111	111
TW20-ST50	65	50mm	100	137.5	116.5	110	95	76	91	126	141
TW20-ST65	65	65mm	99.5	139.5	116.5	125	95	76	106	141	171



LB3000 Pg 34

LB4000 Pg 34

LT2000 Pg 35

LB3000 Compatible Machines

COMPATIBLE MACHINES

OK60A

OK60C

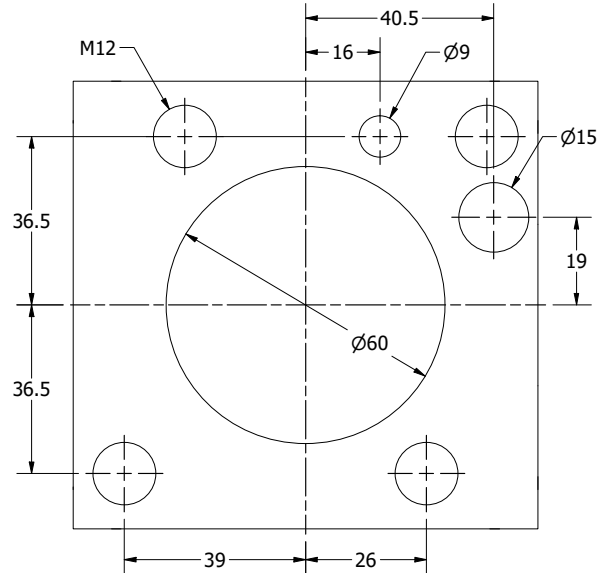
GENOS L300 MW/MYW

L3000-e M/MY

LB/LU 2000-3000 EX (II) M/MY/MW/MYW

LT 3000 EX M/MY

Multus U3000, 4000, 5000 2SW

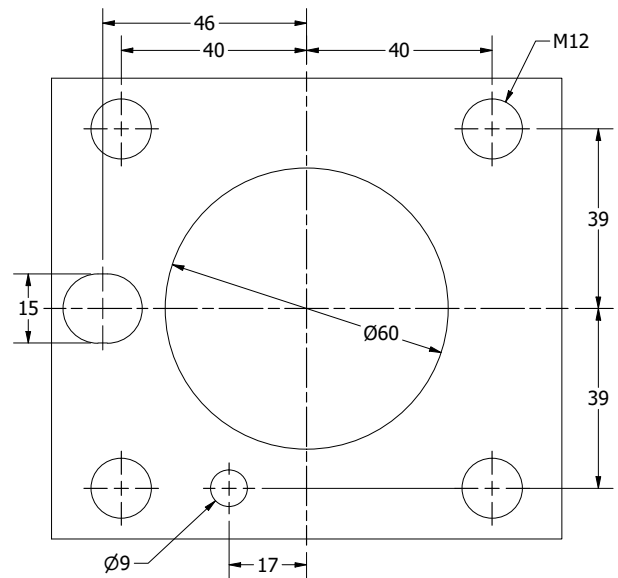


LB4000 Compatible Machines

COMPATIBLE MACHINES

OK60B

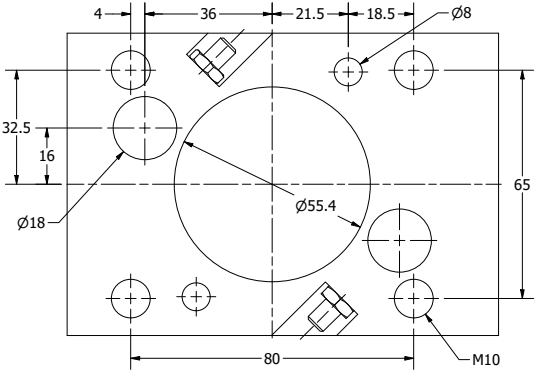
LB/LU 4000 EX (II) M/MY



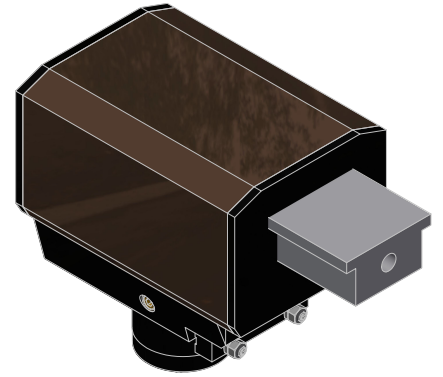
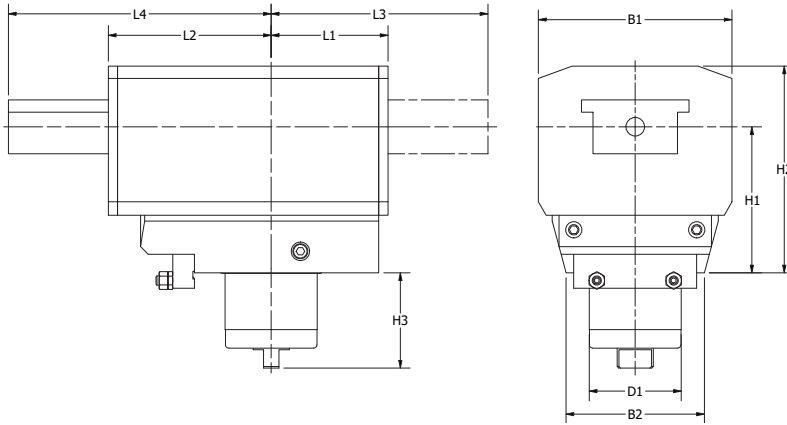
LT2000 Compatible Machines

COMPATIBLE MACHINES

LT2000 EX M/MY (16 Station Turret)

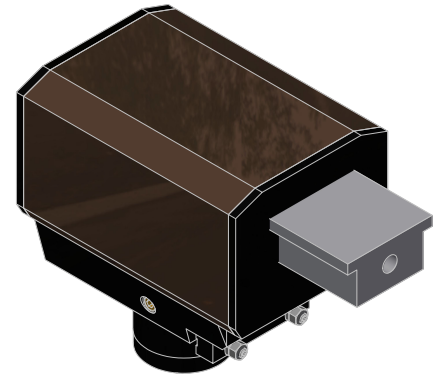
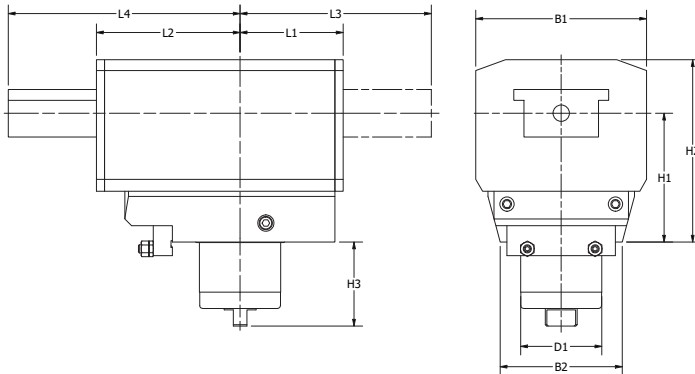


LB3000 SLOTTERS



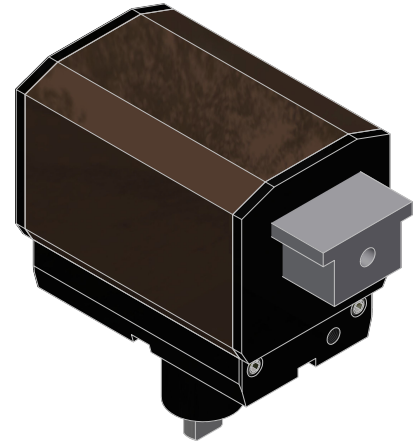
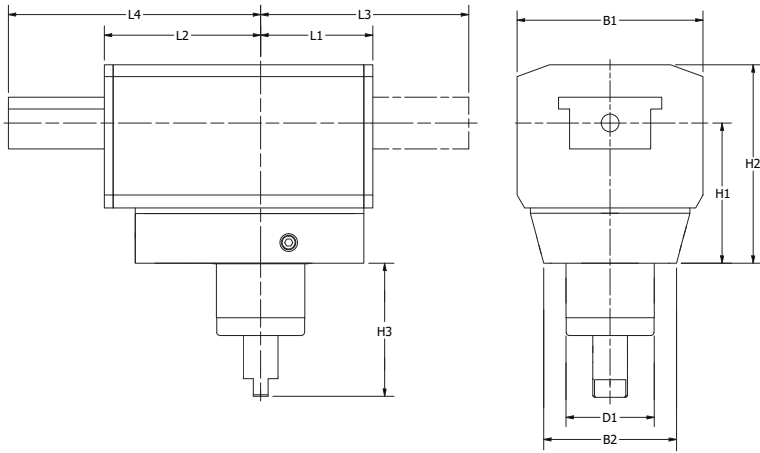
PART NUMBER	D1	STROKE	H1	H2	H3	B1	B2	L1	L2	L3	L4
LB3000-ST35	60	35mm	95.5	132.5	62	100	90	76	76	111	111
LB3000-ST50	60	50mm	95.5	132.5	62	110	90	76	91	126	141
LB3000-ST65	60	65mm	95	134.5	62	125	90	76	106	141	171

LB4000 SLOTTERS



PART NUMBER	D1	STROKE	H1	H2	H3	B1	B2	L1	L2	L3	L4
LB4000-ST35	60	35mm	85.5	122.5	76	100	100	76	76	111	111
LB4000-ST50	60	50mm	85.5	122.5	76	110	100	76	91	126	141
LB4000-ST65	60	65mm	85	124.5	76	125	100	76	106	141	171

LT2000 SLOTTERS



PART NUMBER	D1	STROKE	H1	H2	H3	B1	B2	L1	L2	L3	L4
LT2000-ST35R	55.4	35mm	80	109	102	86	84	76	76	111	111